

INSTRUCTION

- *Be sure to read and understand the contents before installing the product and use it properly.
- *Please keep this instruction manual in a safe place so that you can take it out and read it at any time.
- *When transferring this product or the vehicle on which this product is installed to a third party, be sure to also hand over this instruction manual.

HIGH PERFORMANCE CAMSHAFT WITH VALVESPRING SET

MODEL
W125-G Engine

ITEM NUMBER
80841

Thank you for purchasing **DAYTONA's** product. Please read this instruction manual carefully before using this product.
Be sure to check the contents of the product before installation.
If you notice any problem, please contact the dealer where you purchased the product.

■ Please read the following before the installation. ■

We are not responsible for any accident or damage caused by using the product without following the precautions in the instruction manual.

Warning Indicates a potentially hazardous situation that, if not avoided, could result in death or serious injury.

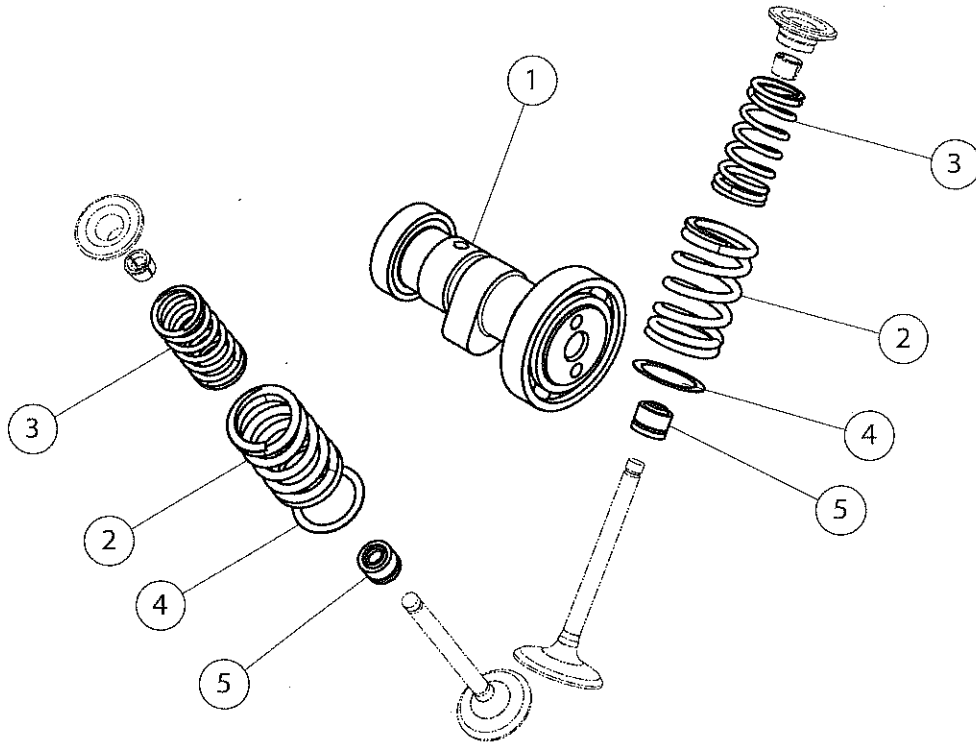
- ! ■ If you are technically unskilled or inexperienced, leave the work to an experienced store or mechanic.
Improper installation due to inexperienced skills or lack of knowledge may result in damage to parts or accidents.
- ⊘ ■ Do not run the engine for long periods of time in poorly ventilated areas.
Doing so may result in carbon monoxide poisoning.
- Gasoline is extremely flammable, so keep the work area away from fire.

Caution



- When working on the engine and muffler, be sure to do so when they are cool.
Doing so while the engine and muffler are hot may result in burns.
- Prepare appropriate tools and work equipment to avoid damage or injury to parts.

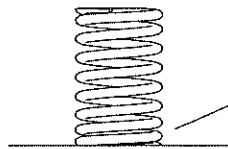
COMPONENTS



#	NAME	QTY	#	NAME	QTY
1	CAMSHAFT COMP.	1	4	SEAT, VALVESPRING	2
2	SPRING, OUTER, VALVE	2	5	SEAL, VALVESTEM	2
3	SPRING, INNER, VALVE	2			

INSTRUNTION

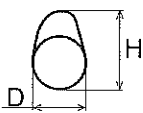
- Remove the exhaust and carburetor.
- Remove the cylinder head.
- Replace the stock valve springs and stem seals with those from the kit.
Pay attention to the orientation of the valve springs. (See diagram).



Install the valve springs with the tightly wound coils facing the cylinder head.

- Assemble the cylinder head with camshafts and rocker arms to the engine.
- Install the cam sprockets in the correct position.
Check that the marked positions of the cam sprockets are aligned with the top dead center of the engine.
- Adjust the tappet clearance. The standard value is 0.05mm.
- The vehicle is then completed by installing the removed parts as they were.

SERVICE DATA

SPECIFICATIONS		Unit : mm	
ITEM		STANDARD	LIMIT
Tappet clearance	IN	0.05±0.03	
	EX	0.05±0.03	
Cam dimensions 	IN "H"	27.47~27.37	27.02
	EX "H"	27.43~27.33	26.98
	"D"	---	
ValveSpring free length	Spring INNER	34.4~33.4	31.8
	Spring OUTER	35.7~34.7	33.1

DAYTONA

HIGH PERFORMANCE PARTS AND ACCESSORIES FOR ALL MOTORCYCLE LOVERS.

<http://www.daytona-global.com>